

# Type BM14G4 Load Cell



## Short description

- Stainless steel IP68 compression load cell
- Hermetically sealed
- Suitable for hopper scales and vehicle testing facilities
- Built in surge arrestors
- Current calibrated (sc-option)



 test certificate no. TC7815 Revision 0  
C of C no R60/2000-NL1-10.10

 Certificate no. 10-087

## Available models

Capacity	Accuracy	Full article description
10t	C3/C4	BM14G4-C3/C4-10t-18B-SC-W1
20t	C3/C4	BM14G4-C3/C4-20t-18B-SC-W1
30t	C3/C4	BM14G4-C3/C4-30t-18B-SC-W1
40t	C3/C4	BM14G4-C3/C4-40t-18B-SC-W1
50t	C3/C4	BM14G4-C3/C4-50t-18B-SC-W1

Specifications and dimensions are subject to change without notice and do not constitute any liability whatsoever.

# Type BM14G4 Load Cell

## Detailed specifications BM14G4

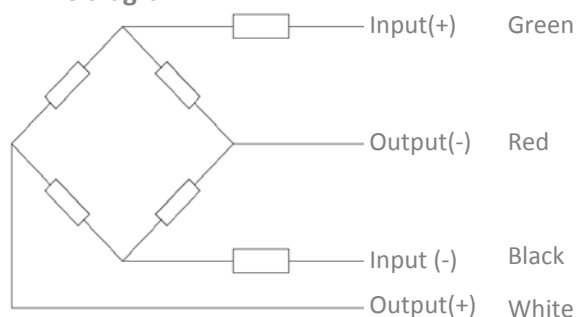
Accuracy class		OIML R60 C3	OIML R60 C4
Output sensitivity ( = FS )	mV/V	2.0 ± 0.02	
Maximum capacity ( E <sub>max</sub> )	t	10, 20, 30, 40, 50	
Max.number of load cell intervals	n <sub>LC</sub>	3000	4000
Ratio of min. LC verification interval	$Y = E_{max} / v_{min}$	8800	
Combined Error	%FS	≤± 0.0230	≤± 0.0175
Minimum dead load	Of E <sub>max</sub>	0%	
Safe overload	of E <sub>max</sub>	150 %	
Ultimate overload	of E <sub>max</sub>	300 %	
Zero balance	of FS	< ± 1.0 %	
Excitation, recommended voltage	V	5 ~ 12	
Excitation maximum	V	18	
Input resistance	Ω	700 ± 7	
Output resistance	Ω	700 ± 7	
Insulation resistance	MΩ	≥5000 ( at 50VDC )	
Compensated temperature	°C	-10 ~ +40	
Operating temperature	°C	-35 ~ +65	
Storage temperature	°C	-40 ~ +70	
Element material		Stainless steel	
Ingress Protection (acc. to EN 60529)		IP68	
Recommended torque on fixation	Nm	-	
ATEX classification (optional)		II1G Ex ia II1C T4	II1D Ex iaD 20 T73°C II3G nL IIC T4

## Wiring

### Wiring:

Shielded, 4 conductor cable  
 Cable Diameter: Ø5mm  
 Standard cable length: 15m  
 Shield not connected to element

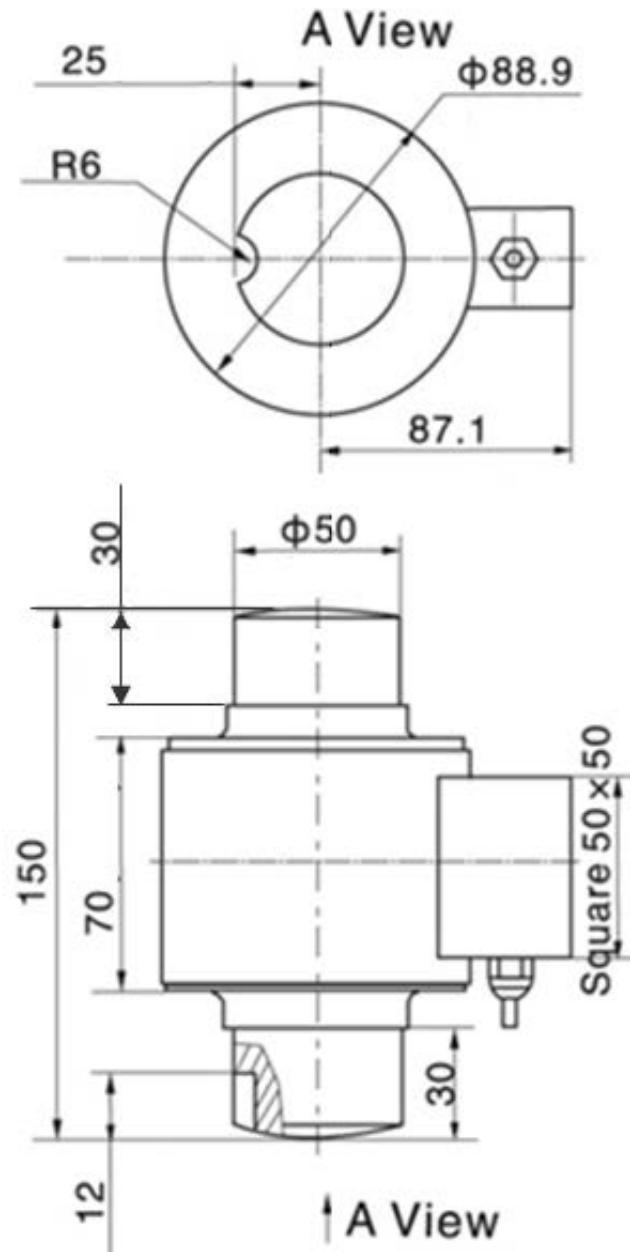
### 4-wire diagram



Specifications and dimensions are subject to change without notice and do not constitute any liability whatsoever.

# Type BM14G4 Load Cell

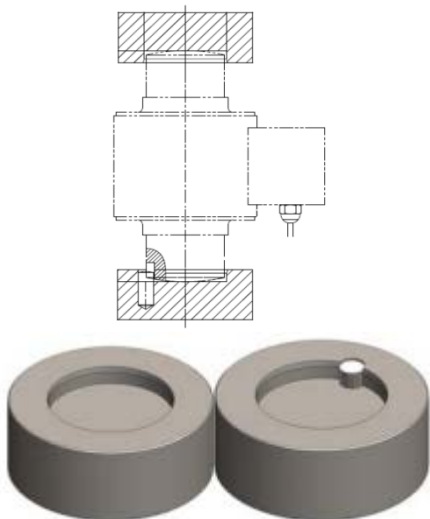


Dimensions in mm



Specifications and dimensions are subject to change without notice and do not constitute any liability whatsoever.

# Type BM14G4 Load Cell

## Available accessories

<p><b>BY-14-108-10-50t rocker support</b></p> <ul style="list-style-type: none"><li>• 1 piece, top, without mounting holes</li><li>• 1 piece, bottom, without mounting holes</li><li>• Stainless steel</li><li>• Anti-rotation pin in the bottom base</li></ul>	
<p><b>BY-14-125-10-50t rocker support</b></p> <ul style="list-style-type: none"><li>• The same as the BY-14-108 but with mounting holes in the top base</li><li>• Stainless steel</li><li>• Anti-rotation pin in the bottom base</li></ul>	
<p><b>BY-14-126-10-50t rocker support</b></p> <ul style="list-style-type: none"><li>• The same as the BY-14-108 but with mounting holes in both top and bottom base</li><li>• Stainless steel</li><li>• Anti-rotation pin in the bottom base</li></ul>	

XATZHGIANNHΣ IKE

Μακεδονίας 4, Αφίδνες, 19014  
τηλ: 22950 22696 fax: 22950 29816  
e-mail: [info@gmh.gr](mailto:info@gmh.gr)  
[www.gmh.gr](http://www.gmh.gr)

Specifications and dimensions are subject to change without notice and do not constitute any liability whatsoever.