

Type H8H Load Cell



Short description



- Nickel plated alloy steel IP67 shear beam load cell
 - Suitable for floor and hopper scales
 - Suitable for hazardous locations
- Non OIML approved

Available models

Capacity	Accuracy	Full article description
250kg	C3	H8H-C3-250kg-4B
500kg	C3	H8H-C3-500kg-4B
1t	C3	H8H-C3-1t-4B
2t	C3	H8H-C3-2t-4B
5t	C3	H8H-C3-5t-4B

Specifications and dimensions are subject to change without notice and do not constitute any liability whatsoever.

Type H8H Load Cell

Detailed specifications H8H

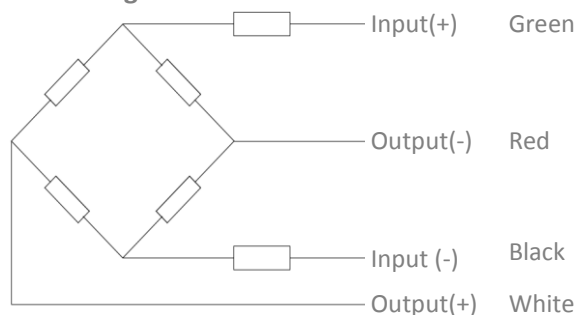
Accuracy class		C3
Output sensitivity (= FS)	mV/V	2.0 ± 0.02
Maximum capacity (E _{max})	t	0.25, 0.5, 1, 2, 5
Max.number of load cell intervals	n _{LC}	3000
Ratio of min. LC verification interval	$Y = E_{max} / v_{min}$	10000
Combined Error	%FS	≤± 0.020
Minimum dead load	Of E _{max}	0%
Safe overload	of E _{max}	150 %
Ultimate overload	of E _{max}	300 %
Zero balance	of FS	< ± 1.0 %
Excitation, recommended voltage	V	5 ~ 12
Excitation maximum	V	18
Input resistance	Ω	350 ± 3.5
Output resistance	Ω	350 ± 3.5
Insulation resistance	MΩ	≥5000 (at 50VDC)
Compensated temperature	°C	-10 ~+40
Operating temperature	°C	-35 ~ +65
Storage temperature	°C	-40 ~ +80
Element material		Nickel plated alloy steel
Ingress Protection (acc. to EN 60529)		IP67
Recommended torque on fixation	Nm	M12: 75 M20:450
ATEX classification (optional)		II1G Ex ia II1C T4 II1D Ex iaD 20 T73°C II3G nL IIC T4

Wiring

Wiring:

Shielded, 4 conductor cable
Cable diameter: Ø5mm.
Standard cable length: 4m.
Shield not connected to element.

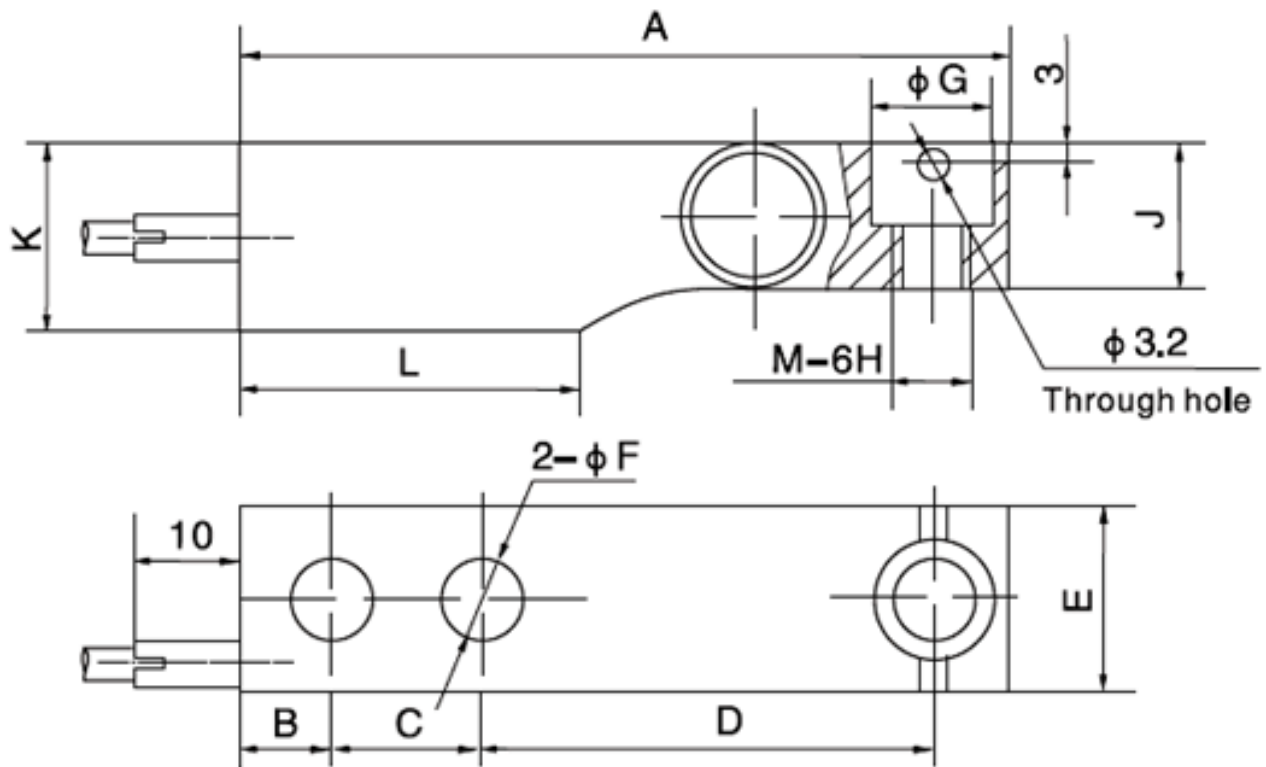
4-wire diagram



Specifications and dimensions are subject to change without notice and do not constitute any liability whatsoever.

Type H8H Load Cell

Dimensions in mm

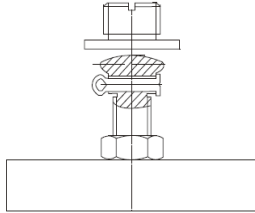
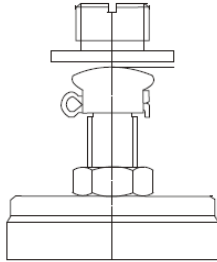
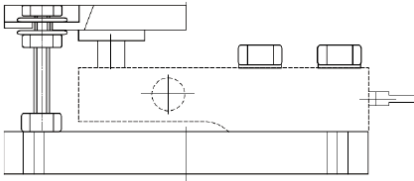


Dimension Capacity	A	B	C	D	E	ϕF	ϕG	H	J	K	L	M
250kg	130	15.5	25.4	76.2	31.8	13	20.5	14.2	25.5	31.8	57.1	M12
500kg	130	15.5	25.4	76.2	31.8	13	20.5	14.2	26	31.8	57.1	M12
1t	130	15.5	25.4	76.2	31.8	13	20.5	14.2	28	31.8	57.1	M12
2t	130	15.5	25.4	76.2	31.8	13	20.5	14.2	32	35.9	57.1	M12
5t	172	19.1	38.1	95.3	38	20.5	30.2	20	40	44	76.2	M20

Specifications and dimensions are subject to change without notice and do not constitute any liability whatsoever.

Type H8H Load Cell

Available accessories

<p>BJ-8-206-0.25-2t adjustable foot Ø 80</p> <ul style="list-style-type: none">• Easy installation• Adjustable height• Automatically centralized inside• Good ability of anti-side loading	
<p>BJ-8-207-0.25-5t adjustable foot Ø 60</p> <ul style="list-style-type: none">• Easy installation• Adjustable height• Automatically centralized inside• Good ability of anti-side loading	
<p>BM-8-406- 0.25-5t</p> <ul style="list-style-type: none">• Stainless steel mount• Easy load cell access• Self aligning construction• Lift-off protection• Controlled horizontal movement	

XATZHGIANNHΣ IKE

Μακεδονίας 4, Αφίδνες, 19014
τηλ: 22950 22696 fax: 22950 29816
e-mail: info@gmh.gr
www.gmh.gr

Specifications and dimensions are subject to change without notice and do not constitute any liability whatsoever.