

Type BM8G Load Cell



Short description



- Stainless steel IP68 shear beam load cell
- Hermetically sealed
- Robust and wide mounting surface
- Suitable for harsh environment
- Current calibrated (sc-option)



test certificate no. D09-07.22
C of C no R60/2000-DE1-10.07

Available models

Capacity	Accuracy	Full article description
500kg	C3/C4	BM8G-C3/C4-500kg-5B-SC
1t	C3/C4	BM8G-C3/C4-1t-5B-SC
2t	C3/C4	BM8G-C3/C4-2t-5B-SC
5t	C3	BM8G-C3-5t-5B-SC-W2
7.5t	C3	BM8G-C3-7.5t-5B-SC-W2
10t	C3	BM8G-C3-10t-10B-SC

Specifications and dimensions are subject to change without notice and do not constitute any liability whatsoever.

Detailed specifications BM8G

Accuracy class		OIML R60 C3	OIML R60 C4	
Output sensitivity (= FS)	mV/V	2.0 ± 0.004		
Maximum capacity (E _{max})	t	0.5, 1, 2, 5, 7.5, 10	0.5, 1, 2	
Max.number of load cell intervals	n _{LC}	3000	4000	
Ratio of min. LC verification interval	$Y = E_{max} / v_{min}$	10000	15000	
Combined Error	%FS	± 0.0230	± 0.0175	
Minimum dead load	Of E _{max}	0%		
Safe overload	of E _{max}	150 %		
Ultimate overload	of E _{max}	300 %		
Zero balance	of FS	< ± 1.0 %		
Excitation, recommended voltage	V	5 ~ 15		
Excitation maximum	V	18		
Input resistance	Ω	350 ± 3.5		
Output resistance	Ω	350 ± 3.5		
Insulation resistance	MΩ	≥5000 (at 50VDC)		
Compensated temperature	°C	-10 ~ +40		
Operating temperature	°C	-35 ~ +65		
Storage temperature	°C	-40 ~ +70		
Element material		Stainless steel		
Ingress Protection (acc. to EN 60529)		IP68		
Recommended torque on fixation	Nm	M12: 100	M20:450	M24:750

Wiring

Wiring:

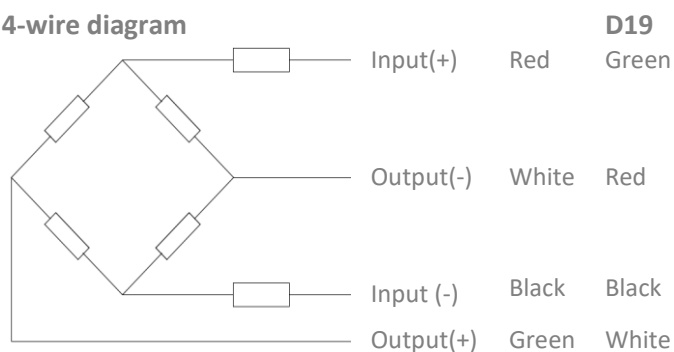
Shielded, 4 conductor cable.

Cable diameter: Ø5mm

Standard cable length: 5m

Shield not connected to element.

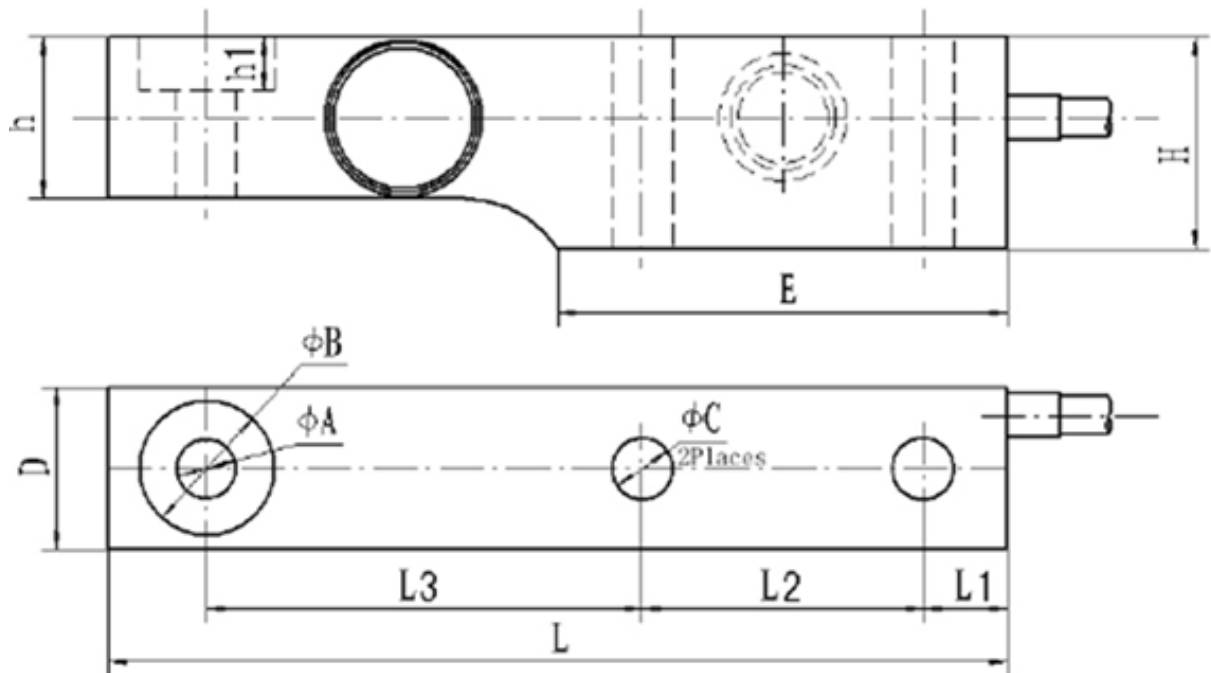
4-wire diagram



Specifications and dimensions are subject to change without notice and do not constitute any liability whatsoever.

Type BM8G Load Cell

Dimensions in mm

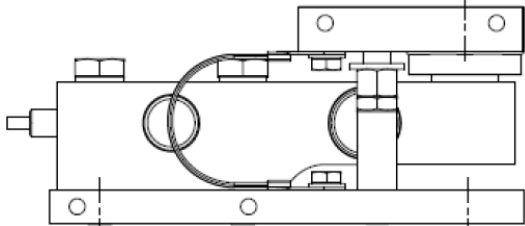
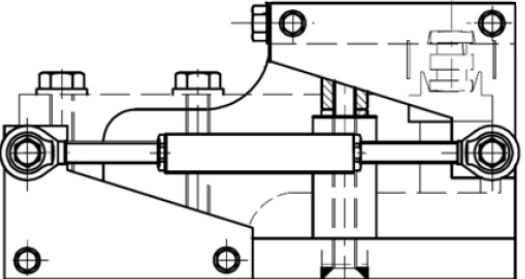
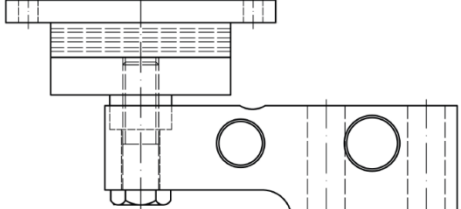


Dimension Capacity	A	B	C	D	E	L	L1	L2	L3	H	h	h1
0.5t, 1t, 2t	17.48	30.3	13.9	36.48	101.6	203.2	19.05	63.5	98.43	47.63	36.5	11.9
5t, 7.5t-W2	25.5	41.4	22.23	47.36	111	234.95	20.62	66.7	123.8	69.85	47.64	15.75
10t	25.5	41.4	25	55	111	234.95	20.62	66.7	123.8	69.85	58.6	15.75

Specifications and dimensions are subject to change without notice and do not constitute any liability whatsoever.

Type BM8G Load Cell

Available accessories

<p>BM-8-409-0.5-10t mount</p> <ul style="list-style-type: none">• Stainless steel mount• Easy load cell access• Self aligning construction• Lift-off protection• Controlled horizontal movement	
<p>BM-8-410-0.5-10t mount</p> <ul style="list-style-type: none">• BM-8-409 + stay rod• Stainless steel mount• Easy load cell access• Self aligning construction• Lift-off protection• Stabilized by stay rod	
<p>Elastomer BM8G 0.5-10t</p> <ul style="list-style-type: none">• Easy installation• Suitable for shock load	

XATZHGIANNHΣ IKE

Μακεδονίας 4, Αφίδνες, 19014
τηλ: 22950 22696 fax: 22950 29816
e-mail: info@gmh.gr
www.gmh.gr

Specifications and dimensions are subject to change without notice and do not constitute any liability whatsoever.