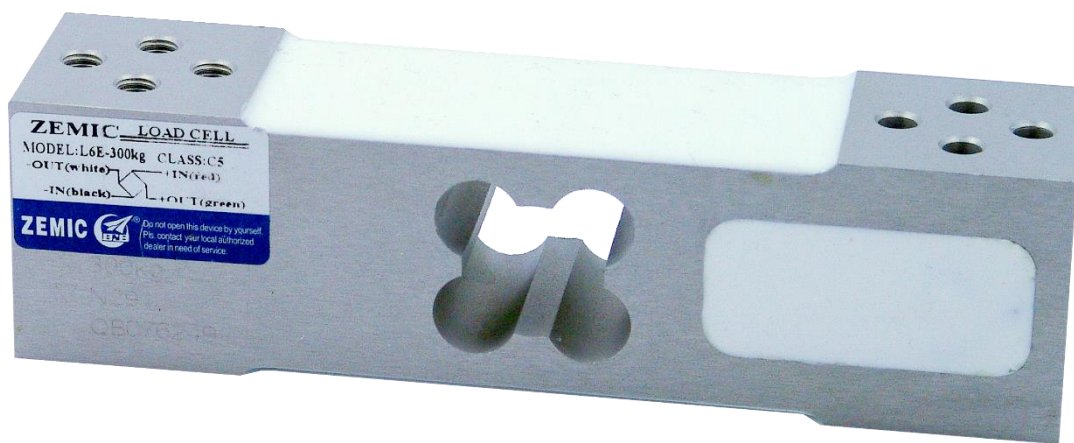



# Type L6E Load Cell



## Short description



- Aluminium-alloy IP65 single point load cell.
- Colourless anodized
- Suitable for pricing scales, bench scales, etc.
- Maximum platform size: 400 x 400 mm

 test certificate no. TC7838 Revision 1  
C of C no R60/2000-NL1-10.22

 Certificate no. 11-062

## Available models

Capacity	Accuracy	Full article description
50kg	C3/C4/C5	L6E-C3/C4/C5-50kg-2B
60kg	C3/C4/C5	L6E-C3/C4/C5-60kg-2B
80kg	C3/C4/C5	L6E-C3/C4/C5-80kg-2B
100kg	C3/C4/C5	L6E-C3/C4/C5-100kg-2B
150kg	C3/C4/C5	L6E-C3/C4/C5-150kg-2B
200kg	C3/C4/C5	L6E-C3/C4/C5-200kg-2B
300kg	C3/C4/C5	L6E-C3/C4/C5-300kg-2B

Specifications and dimensions are subject to change without notice and do not constitute any liability whatsoever.

# Type L6E Load Cell

## Detailed specifications L6E

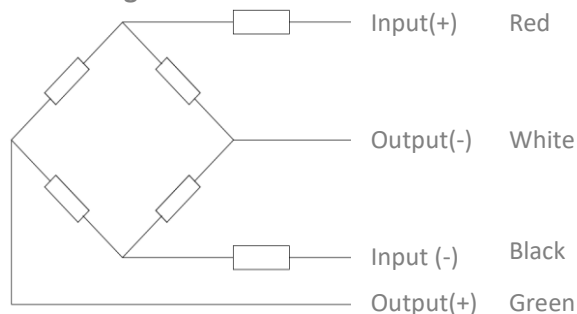
Accuracy class		OIML R60 C3		OIML R60 C4		OIML R60 C5	
Output sensitivity ( = FS )	mV/V	2.0 ± 0.2					
Maximum capacity ( E <sub>max</sub> )	kg	50, 60, 80, 100	150, 200, 300	50, 60, 80, 100	150, 200, 300	50, 60, 80, 100	150, 200, 300
Max.number of load cell intervals	n <sub>LC</sub>	3000		4000		5000	
Ratio of min. LC verification interval	Y = E <sub>max</sub> / V <sub>min</sub>	10000		15000		20000	
Combined Error	%FS	≤± 0.0230		≤± 0.0175		≤± 0.0140	
Minimum dead load	Of E <sub>max</sub>	0%					
Safe overload	of E <sub>max</sub>	150 %					
Ultimate overload	of E <sub>max</sub>	300 %					
Zero balance	of FS	< ± 2.0 %					
Excitation, recommended voltage	V	5 ~ 12					
Excitation maximum	V	18					
Input resistance	Ω	406 ± 6					
Output resistance	Ω	350 ± 3					
Insulation resistance	MΩ	≥5000 ( at 50VDC )					
Compensated temperature	°C	-10 ~ +40					
Operating temperature	°C	-35 ~ +65					
Storage temperature	°C	-40 ~ +70					
Element material		Aluminium					
Ingress Protection (acc. to EN 60529)		IP65					
Recommended torque on fixation	Nm	M6:20					

## Wiring

### Wiring:

Shielded, 4 conductor cable.  
 Cable diameter: Ø5.3mm.  
 Standard cable length: 2m.  
 Shield not connected to element.  
 Cable jacket in PVC.

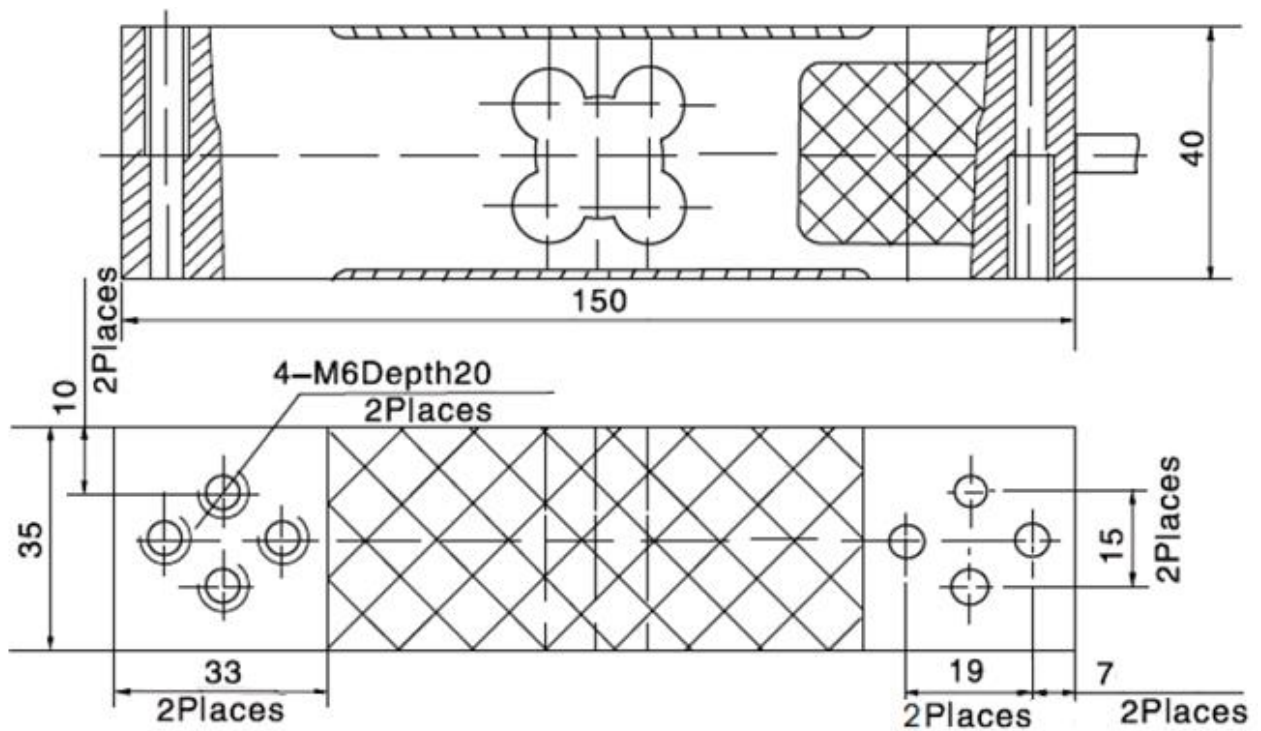
### 4-wire diagram



Specifications and dimensions are subject to change without notice and do not constitute any liability whatsoever.

# Type L6E Load Cell

Dimensions in mm



XATZHGIANNHΣ IKE

Μακεδονίας 4, Αφίδνες, 19014  
τηλ: 22950 22696 fax: 22950 29816  
e-mail: [info@gmh.gr](mailto:info@gmh.gr)  
[www.gmh.gr](http://www.gmh.gr)

Specifications and dimensions are subject to change without notice and do not constitute any liability whatsoever.