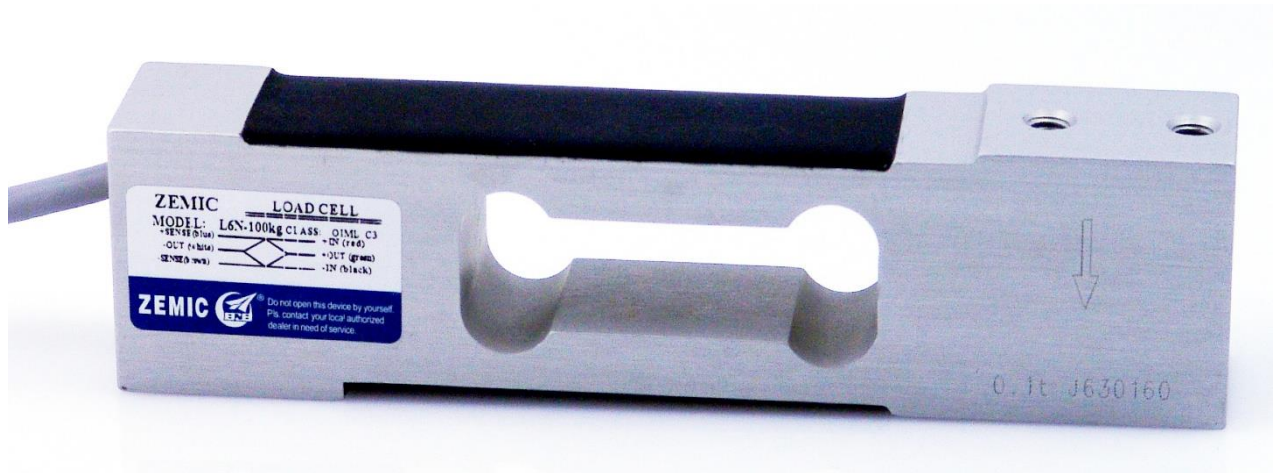



Type L6N Load Cell



Short description



- Aluminium-alloy IP65 single point load cell.
- Colourless anodized
- Suitable for single or double load cell structured platform scales
- Maximum platform size: 350 x 400 mm

 test certificate no. D09-06.11 Revision 1
C of C no R60/2000-CNI-06.04

 Certificate no. 11-055

Available models

Capacity	Accuracy	Full article description
3kg	C3	L6N-C3-3kg-3B6
5kg	C3	L6N-C3-5kg-3B6
8kg	C3	L6N-C3-8kg-3B6
10kg	C3	L6N-C3-10kg-3B6
15kg	C3/C4	L6N-C3/C4-15kg-3B6
20kg	C3/C4	L6N-C3/C4-20kg-3B6
30kg	C3/C4	L6N-C3/C4-30kg-3B6
50kg	C3/C4	L6N-C3/C4-50kg-3B6
75kg	C3/C4	L6N-C3/C4-75kg-3B6
100kg	C3	L6N-C3-100kg-3B6

Specifications and dimensions are subject to change without notice and do not constitute any liability whatsoever.

Type L6N Load Cell

Detailed specifications L6N

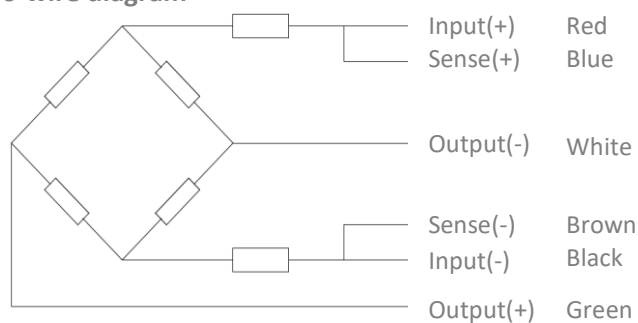
Accuracy class		OIML R60 C3	OIML R60 C4
Output sensitivity (= FS)	mV/V	2.0 ± 0.2	
Maximum capacity (E _{max})	kg	3, 5, 8, 10, 15, 20, 30, 50, 75, 100	15, 20, 30, 50, 75
Max.number of load cell intervals	n _{LC}	3000	4000
Ratio of min. LC verification interval	Y = E _{max} / v _{min}	12000	20000
Combined Error	%FS	≤± 0.0230	≤± 0.0175
Minimum dead load	Of E _{max}	0%	
Safe overload	of E _{max}	150 %	
Ultimate overload	of E _{max}	300 %	
Zero balance	of FS	< ± 2.0 %	
Excitation, recommended voltage	V	5 ~ 12	
Excitation maximum	V	18	
Input resistance	Ω	409 ± 6	
Output resistance	Ω	350 ± 3	
Insulation resistance	MΩ	≥5000 (at 50VDC)	
Compensated temperature	°C	-10 ~ +40	
Operating temperature	°C	-35 ~ +65	
Storage temperature	°C	-40 ~ +70	
Element material		Aluminium	
Ingress Protection (acc. to EN 60529)		IP65	
Recommended torque on fixation	Nm	M6: 10	

Wiring

Wiring:

Shielded, 6 conductor cable.
 Cable Diameter: Ø5mm
 Standard cable length: 3m
 Shield not connected to element.
 Cable jacket is PVC.

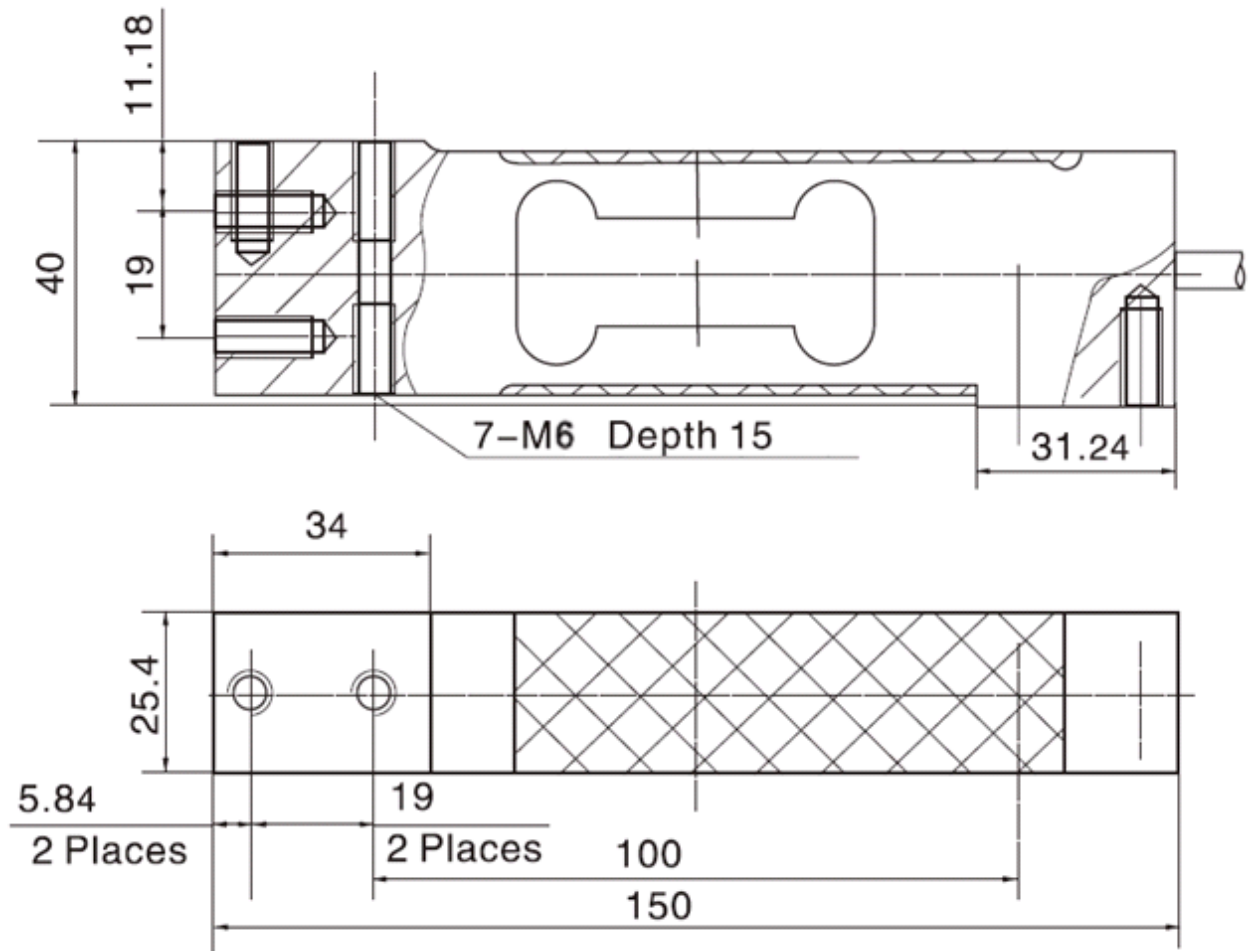
6-wire diagram



Specifications and dimensions are subject to change without notice and do not constitute any liability whatsoever.

Type L6N Load Cell

Dimensions in mm



ΧΑΤΖΗΓΙΑΝΝΗΣ ΙΚΕ

Μακεδονίας 4, Αφίδνες, 19014
τηλ: 22950 22696 fax: 22950 29816
e-mail: info@gmh.gr
www.gmh.gr

Specifications and dimensions are subject to change without notice and do not constitute any liability whatsoever.